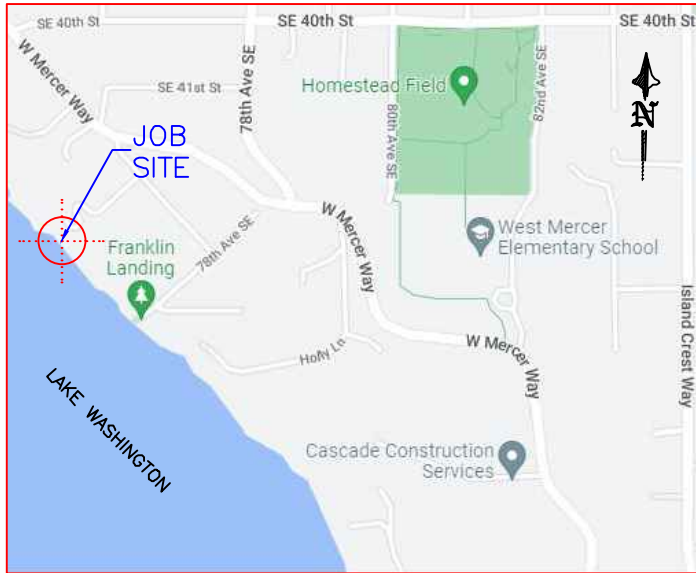
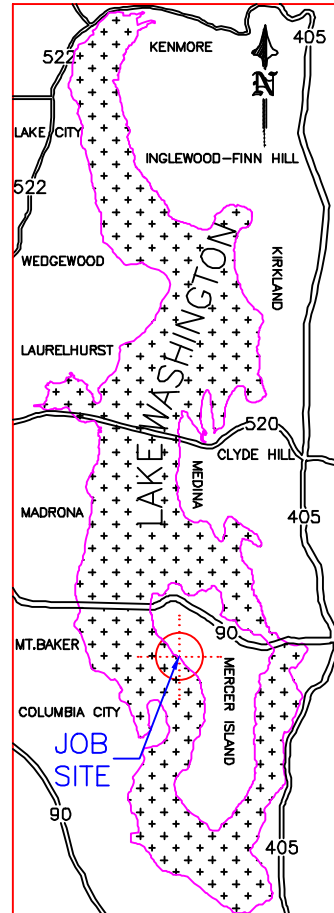


VICINITY MAP/NO SCALE



AREA MAP/NO SCALE



LEGAL DESCRIPTION

SECTION: NW-13-24-04 LAT: 47.572000 (47° 34' 19.2" N)
 TAXLOT #: 362350-0420 LONG: -122.238380 (122° 14' 18.168" W)

ISLAND PARK REPLAT OF LOT 9 & SELY 15 FT OF 8 EX NELY 240 FT
 THOF & SH LDS ADJ
 PLat Block: C
 Plat Lot: 8-9

PRELIMINARY

PROJECT DESIGNED BY:

Waterfront Construction Inc.

THIS DOCUMENT IS PROPRIETARY PROPERTY OF WATERFRONT CONSTRUCTION INC., AND IS NOT TO BE USED, IN WHOLE OR IN PART, FOR ANY OTHER PROJECT WITHOUT THE WRITTEN AUTHORIZATION OF WATERFRONT CONSTRUCTION INC.

ADJACENT OWNERS:

- ① NAVPREET SINGH
4075 W MERCER WAY
MERCER ISLAND, WA 98040
- ② NANETTE & STEVE DANIELSON
4115 BOULEVARD PL
MERCER ISLAND, WA 98040

APPLICATION#:

PROPOSED: DECKING & FASCIA REPLACEMENT,
SPlice (8) PILES

PURPOSE: REPLACE DECKING WITH ENVIRON-
MENTALLY SOUND GRATING & RESTORE
STRUCTURAL INTEGRITY TO DOCK.

DATUM: C.O.E. MLLW=0.0'

DWG#: 22-31034-A1-1

APPLICANT: NEIL & MICHELE KELLER

SITE ADD. 4111 BOULEVARD PL
MERCER ISLAND, WA 98040

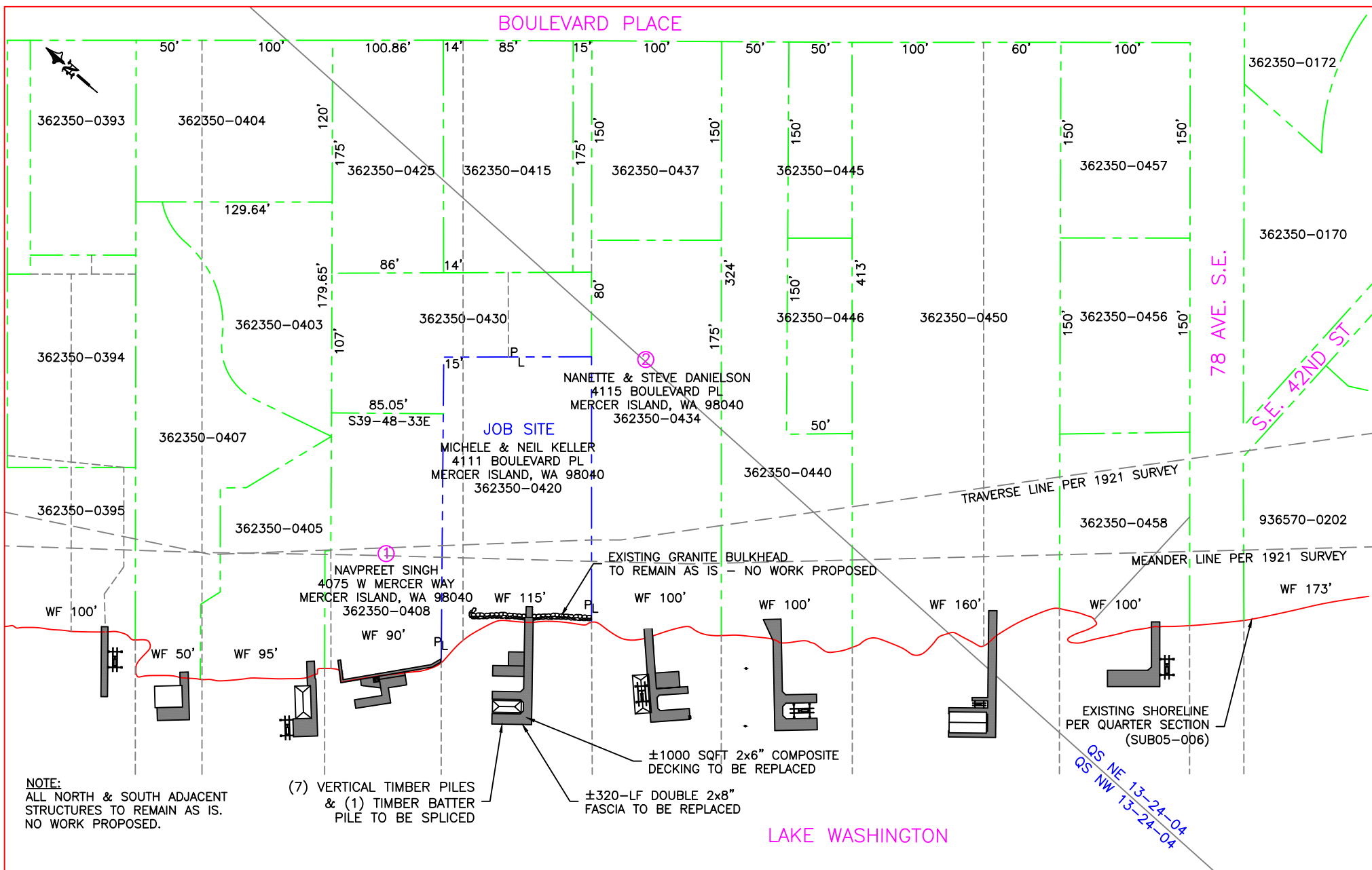
MAIL ADD. (SAME AS ABOVE)

PAGE: 1

OF: 12

DATE: 10/27/2022

BOULEVARD PLACE



NOTE:
ALL NORTH & SOUTH ADJACENT
STRUCTURES TO REMAIN AS IS.
NO WORK PROPOSED.

(7) VERTICAL TIMBER PILES
& (1) TIMBER BATTER
PILE TO BE SPLICED

±1000 SQFT 2x6" COMPOSITE
DECKING TO BE REPLACED

±320-LF DOUBLE 2x8"
FASCIA TO BE REPLACED

LAKE WASHINGTON

EXISTING SITE PLAN

100' 50' 20' 0' 100'



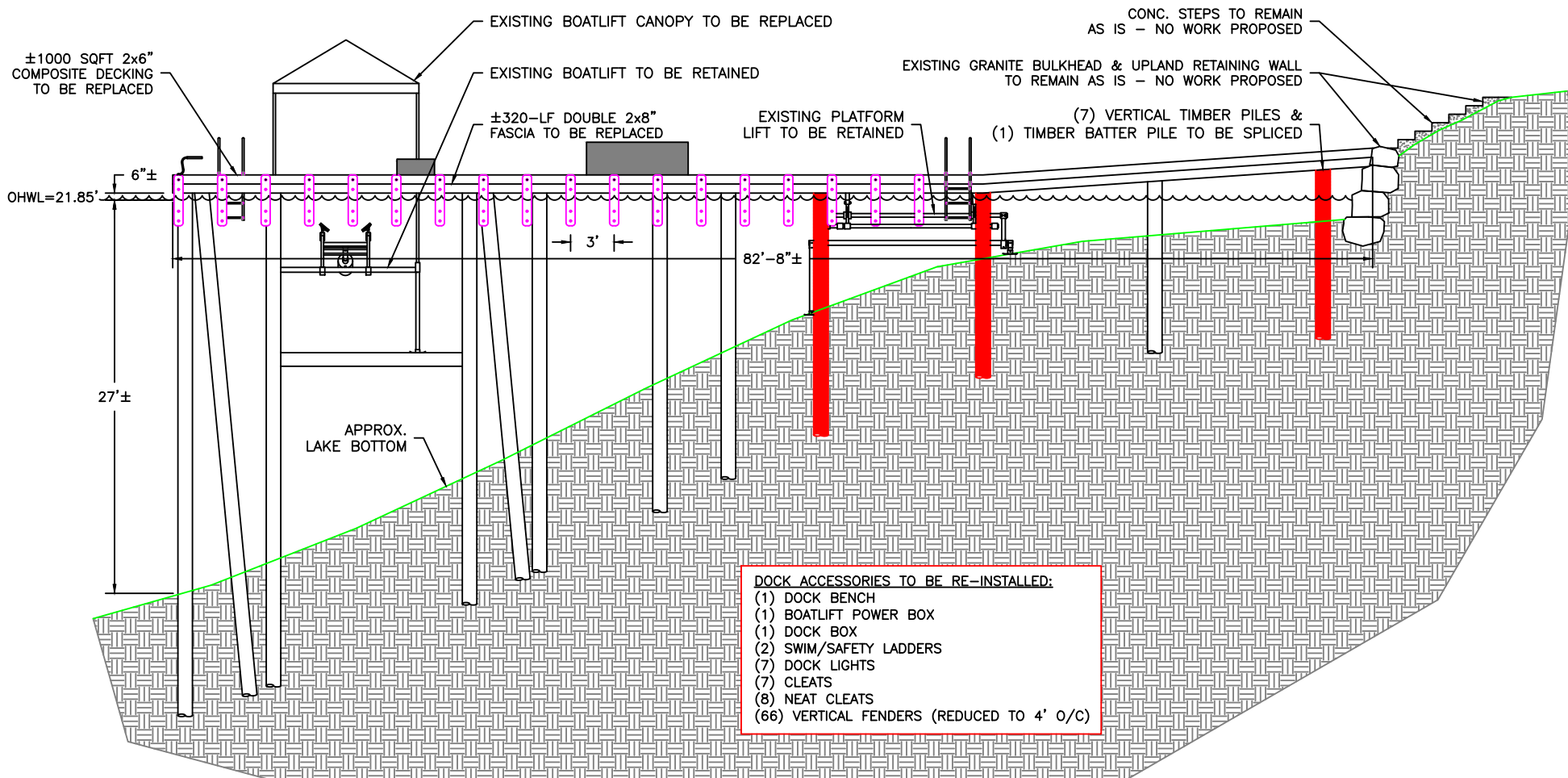
SCALE: 1"=100'

PROJECT DESIGNED BY:

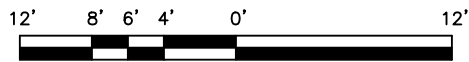
Waterfront Construction Inc.

THIS DOCUMENT IS PROPRIETARY PROPERTY OF WATERFRONT
CONSTRUCTION INC., AND IS NOT TO BE USED, IN WHOLE OR IN
PART, FOR ANY OTHER PROJECT WITHOUT THE WRITTEN
AUTHORIZATION OF WATERFRONT CONSTRUCTION INC.

REFERENCE #:		
APPLICANT: NEIL & MICHELE KELLER		
PROPOSED: DECKING & FASCIA REPLACEMENT, SPLICE (8) PILES		
SHEET: 2	OF: 12	NEAR/AT: LAKE WASHINGTON
DATE: 10/27/2022	DWG#: 22-31034-A1-2	



EXISTING ELEVATION



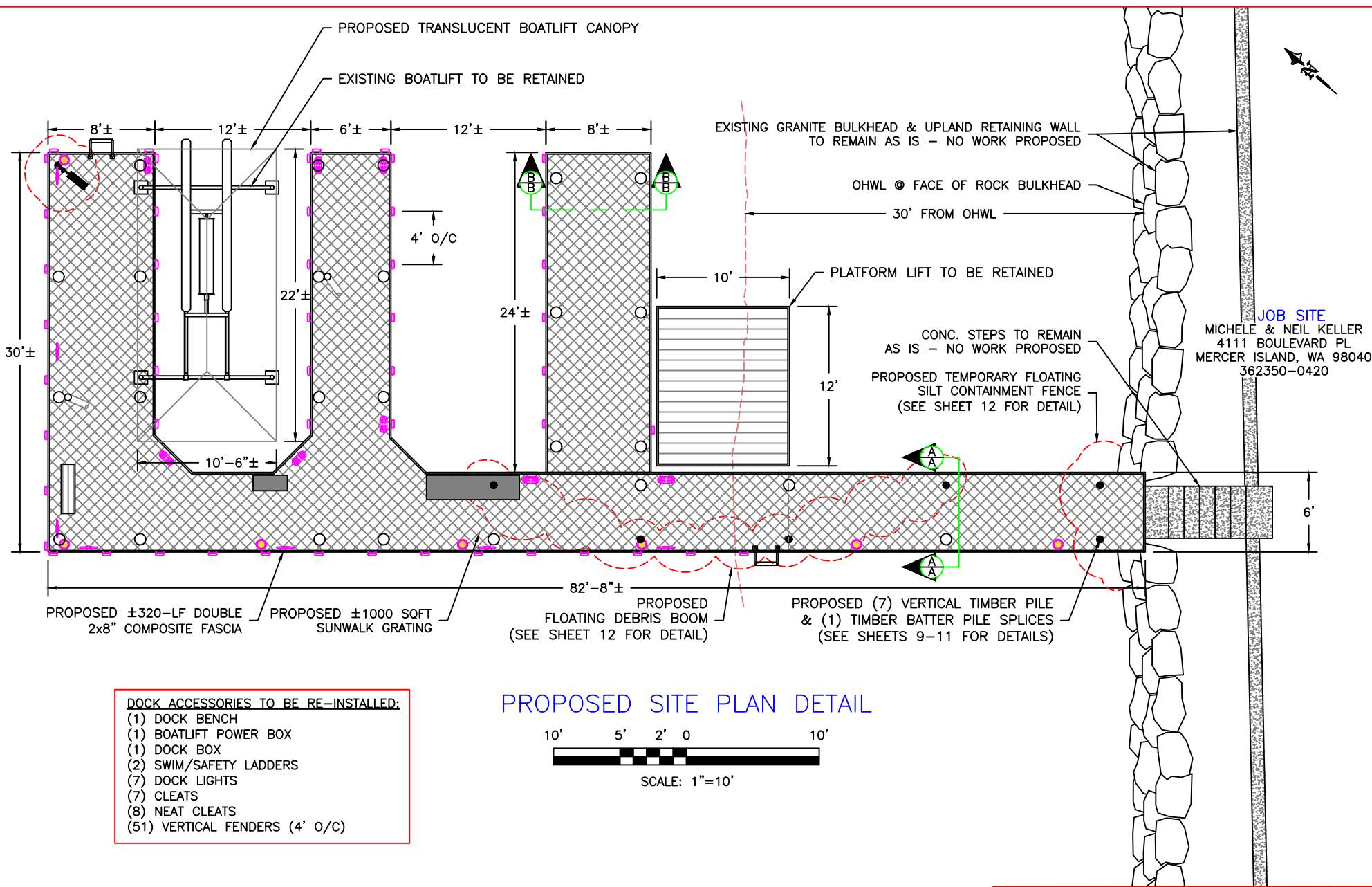
SCALE: 3/32"=1'

PROJECT DESIGNED BY:

Waterfront Construction Inc.

THIS DOCUMENT IS PROPRIETARY PROPERTY OF WATERFRONT CONSTRUCTION INC., AND IS NOT TO BE USED, IN WHOLE OR IN PART, FOR ANY OTHER PROJECT WITHOUT THE WRITTEN AUTHORIZATION OF WATERFRONT CONSTRUCTION INC.

REFERENCE #:		
APPLICANT: NEIL & MICHELE KELLER		
PROPOSED: DECKING & FASCIA REPLACEMENT, SPLICE (8) PILES		
SHEET: 4	OF: 12	NEAR/AT: LAKE WASHINGTON
DATE: 10/27/2022	DWG#: 22-31034-A1-4	



JOB SITE
 MICHELE & NEIL KELLER
 4111 BOULEVARD PL
 MERCER ISLAND, WA 98040
 362350-0420

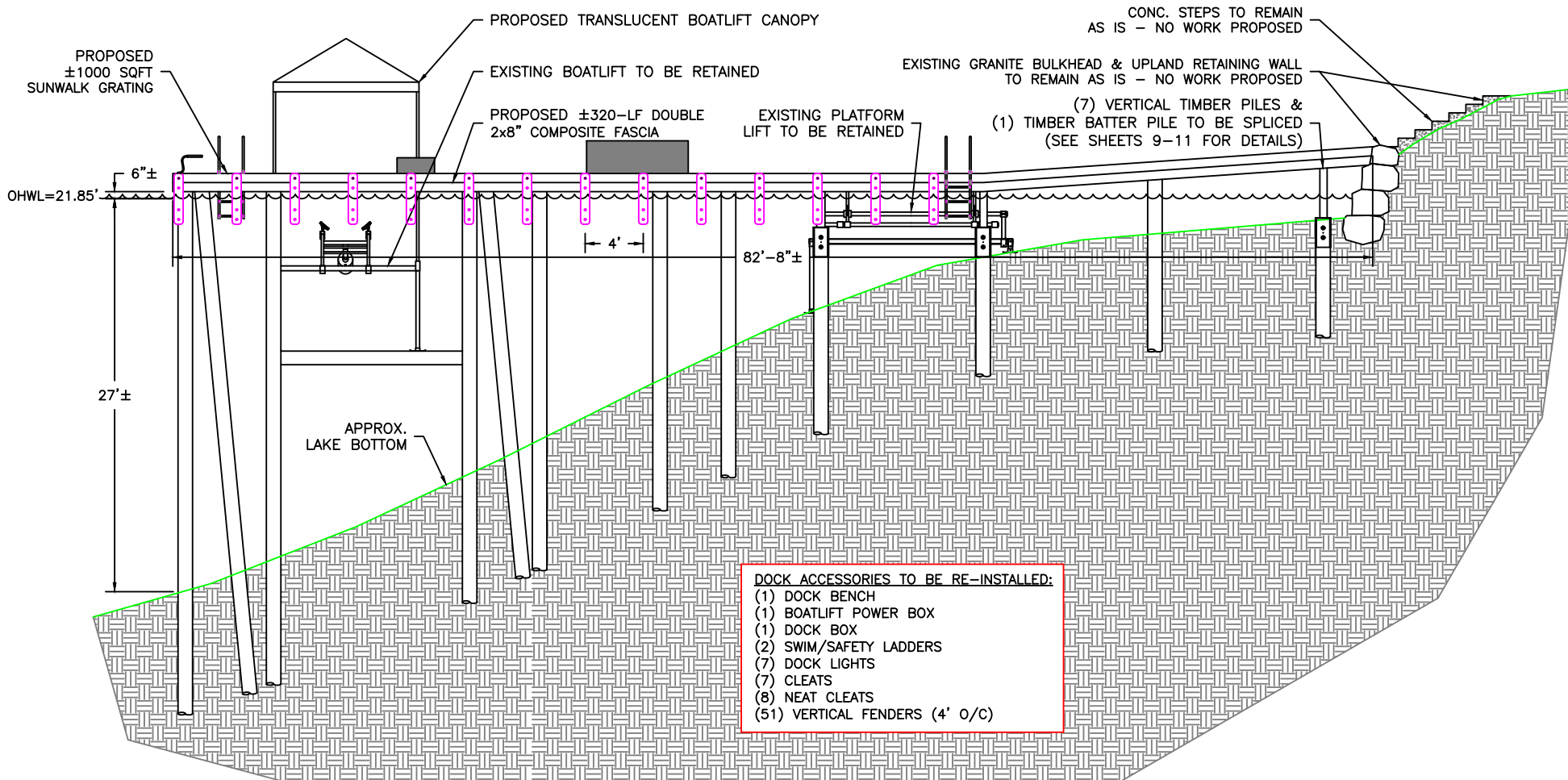
- DOCK ACCESSORIES TO BE RE-INSTALLED:**
- (1) DOCK BENCH
 - (1) BOATLIFT POWER BOX
 - (1) DOCK BOX
 - (2) SWIM/SAFETY LADDERS
 - (7) DOCK LIGHTS
 - (7) CLEATS
 - (8) NEAT CLEATS
 - (51) VERTICAL FENDERS (4' O/C)

PROPOSED SITE PLAN DETAIL



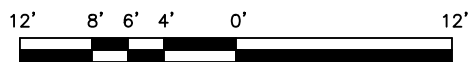
PROJECT DESIGNED BY:
Waterfront Construction Inc.
 THIS DOCUMENT IS PROPRIETARY PROPERTY OF WATERFRONT CONSTRUCTION INC., AND IS NOT TO BE USED, IN WHOLE OR IN PART, FOR ANY OTHER PROJECT WITHOUT THE WRITTEN AUTHORIZATION OF WATERFRONT CONSTRUCTION INC.

REFERENCE #:		
APPLICANT: NEIL & MICHELE KELLER		
PROPOSED: DECKING & FASCIA REPLACEMENT, SPLICE (8) PILES		
SHEET: 5	OF: 12	NEAR/AT: LAKE WASHINGTON
DATE: 10/27/2022	DWG#: 22-31034-A1-5	



- DOCK ACCESSORIES TO BE RE-INSTALLED:**
- (1) DOCK BENCH
 - (1) BOATLIFT POWER BOX
 - (1) DOCK BOX
 - (2) SWIM/SAFETY LADDERS
 - (7) DOCK LIGHTS
 - (7) CLEATS
 - (8) NEAT CLEATS
 - (51) VERTICAL FENDERS (4' O/C)

PROPOSED ELEVATION



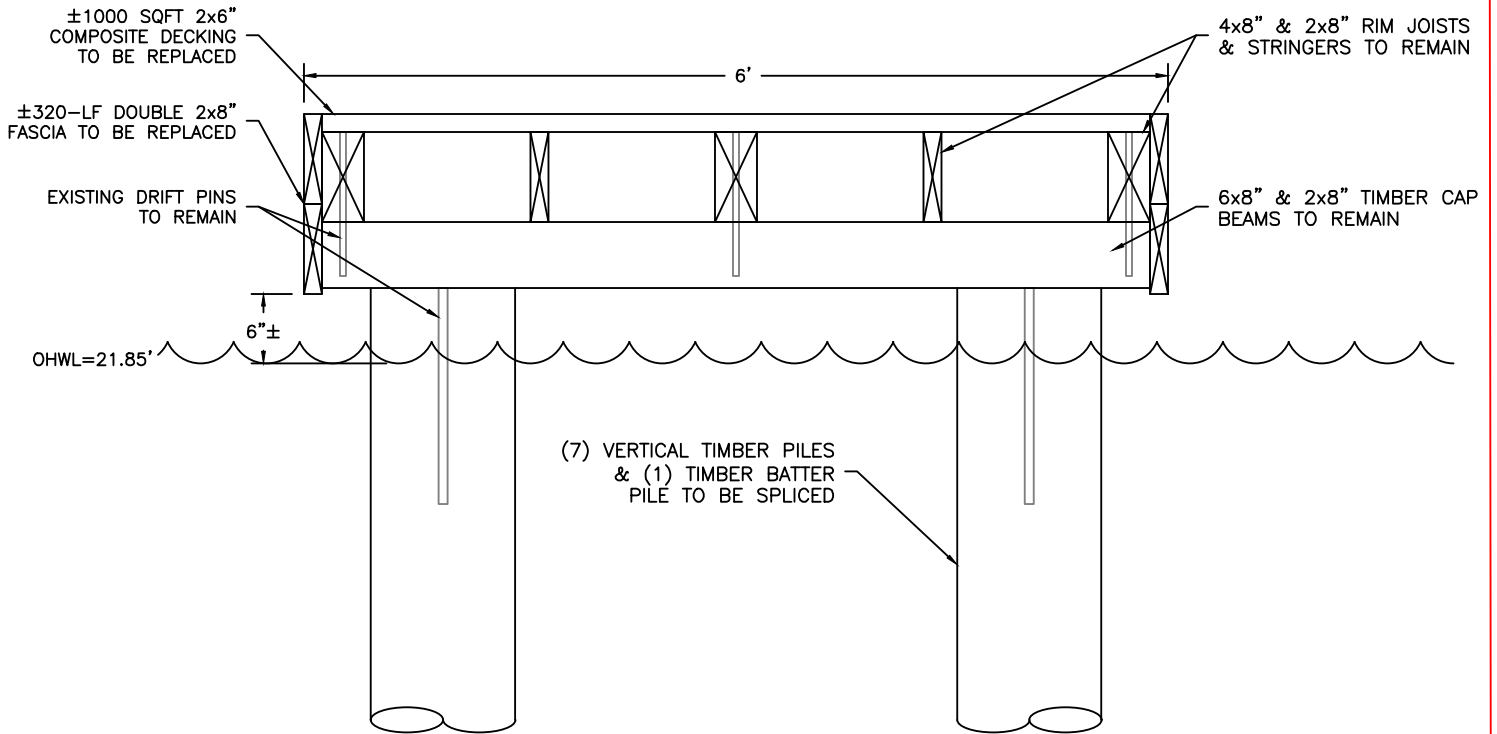
SCALE: 3/32"=1'

PROJECT DESIGNED BY:

Waterfront Construction Inc.

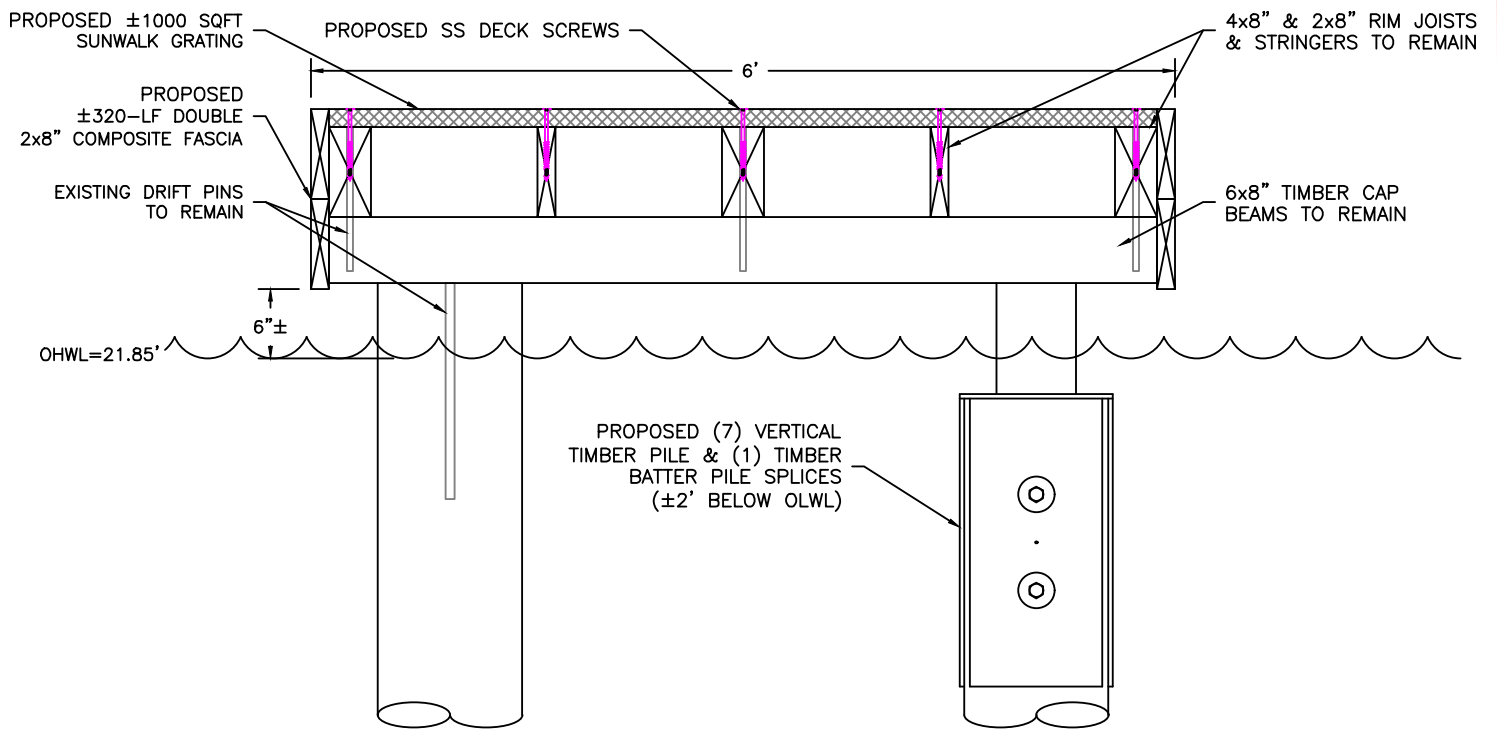
THIS DOCUMENT IS PROPRIETARY PROPERTY OF WATERFRONT CONSTRUCTION INC., AND IS NOT TO BE USED, IN WHOLE OR IN PART, FOR ANY OTHER PROJECT WITHOUT THE WRITTEN AUTHORIZATION OF WATERFRONT CONSTRUCTION INC.

REFERENCE #:		
APPLICANT: NEIL & MICHELE KELLER		
PROPOSED: DECKING & FASCIA REPLACEMENT, SPLICE (8) PILES		
SHEET: 6	OF: 12	NEAR/AT: LAKE WASHINGTON
DATE: 10/27/2022	DWG#: 22-31034-A1-6	

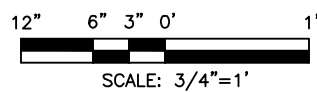


EXISTING SECTION A-A

SCALE: 3/4"=1'



PROPOSED SECTION A-A

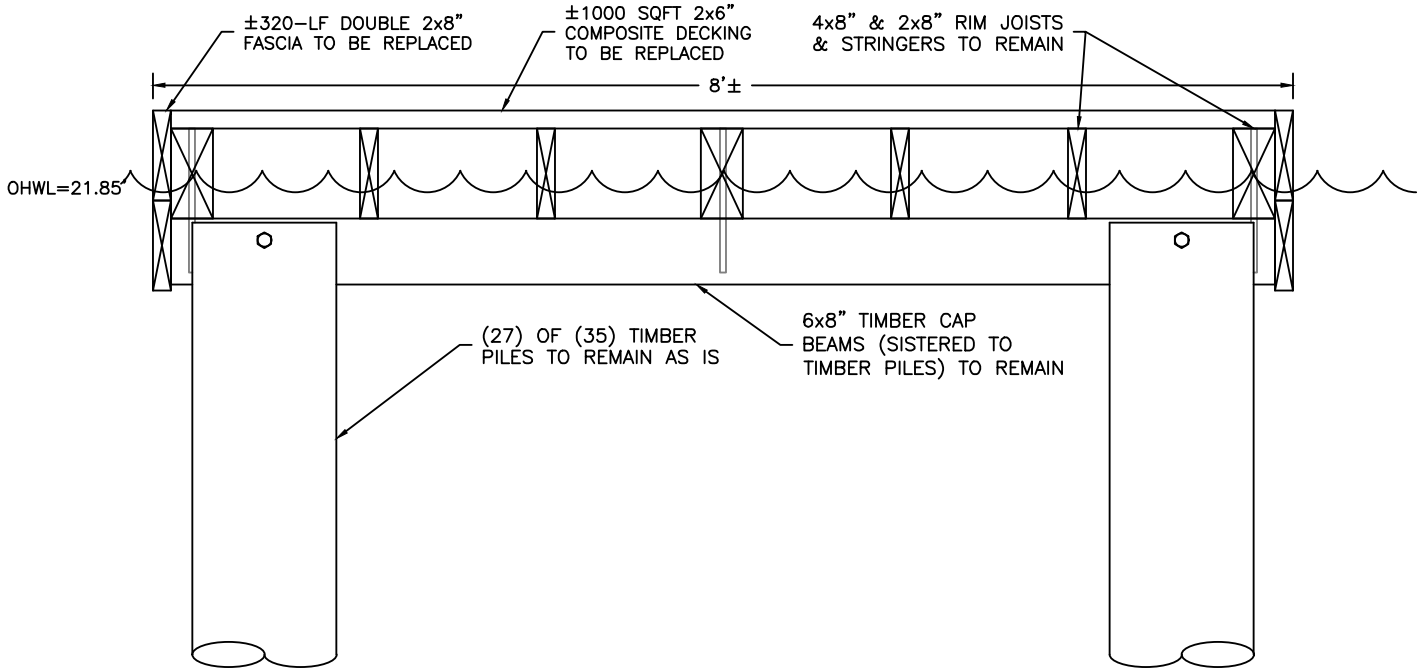


PROJECT DESIGNED BY:

Waterfront Construction Inc.

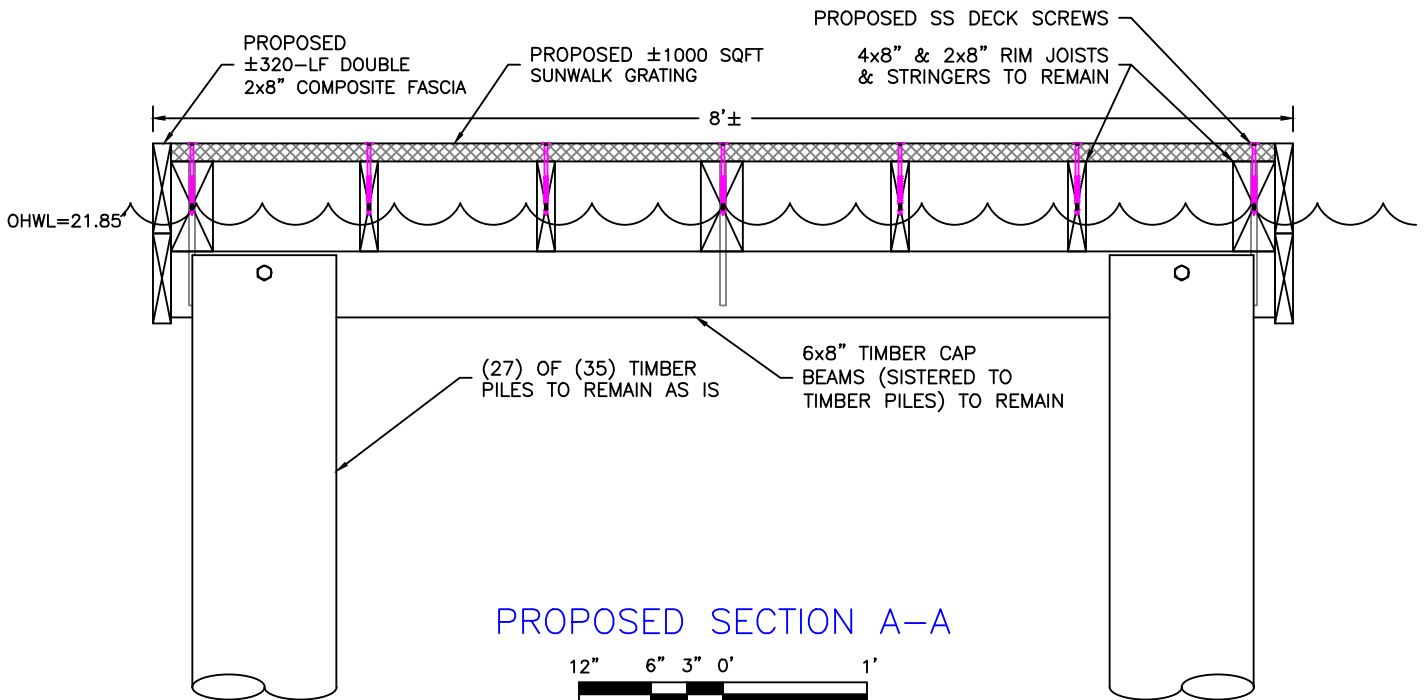
THIS DOCUMENT IS PROPRIETARY PROPERTY OF WATERFRONT CONSTRUCTION INC., AND IS NOT TO BE USED, IN WHOLE OR IN PART, FOR ANY OTHER PROJECT WITHOUT THE WRITTEN AUTHORIZATION OF WATERFRONT CONSTRUCTION INC.

REFERENCE #:		
APPLICANT: NEIL & MICHELE KELLER		
PROPOSED: DECKING & FASCIA REPLACEMENT, SPLICE (8) PILES		
SHEET: 7	OF: 12	NEAR/AT: LAKE WASHINGTON
DATE: 10/27/2022	DWG#: 22-31034-A1-7	

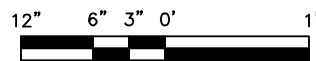


EXISTING SECTION A-A

SCALE: 3/4"=1'



PROPOSED SECTION A-A



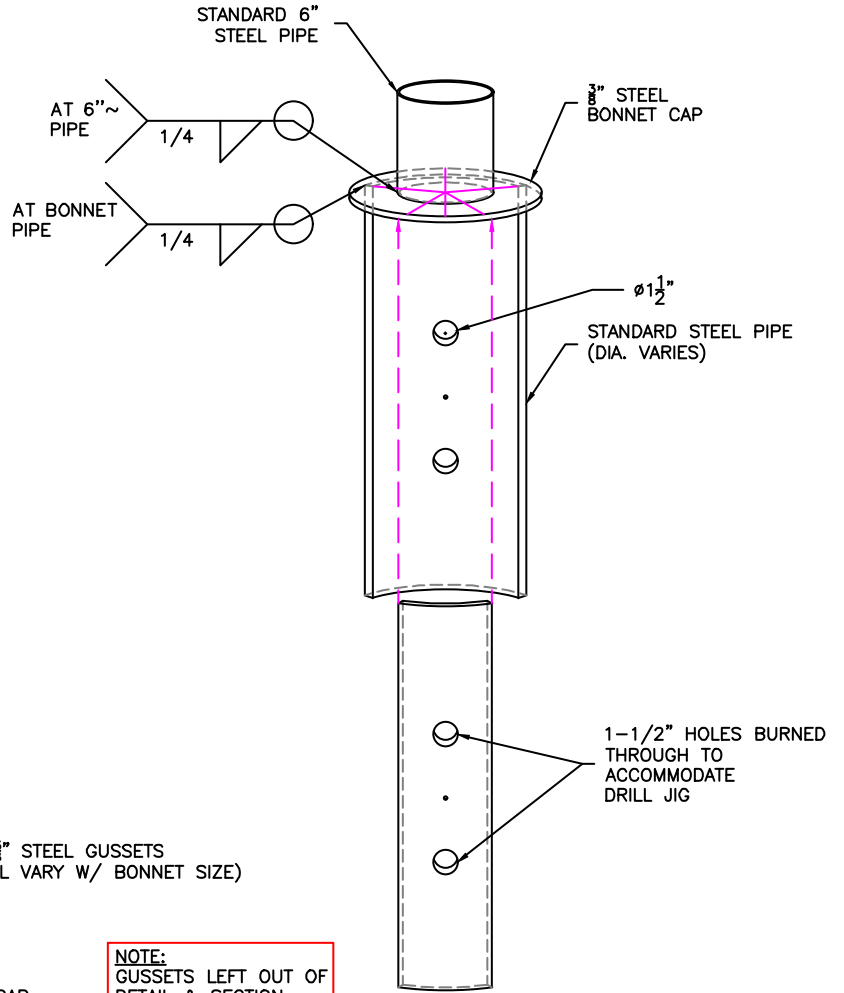
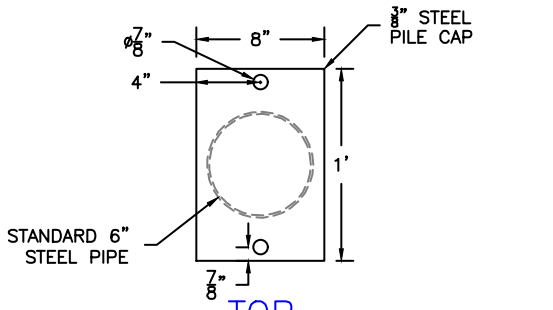
SCALE: 3/4"=1'

PROJECT DESIGNED BY:

Waterfront Construction Inc.

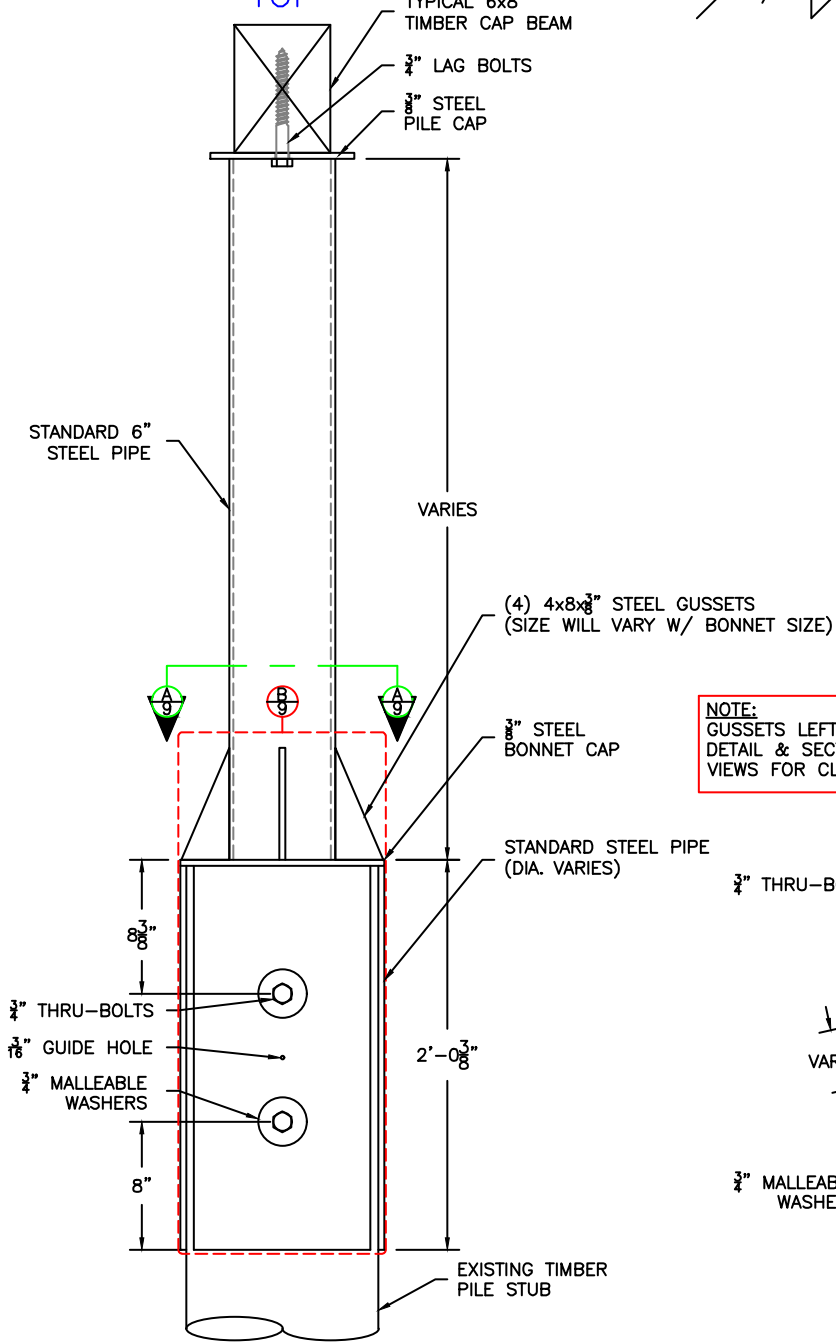
THIS DOCUMENT IS PROPRIETARY PROPERTY OF WATERFRONT CONSTRUCTION INC., AND IS NOT TO BE USED, IN WHOLE OR IN PART, FOR ANY OTHER PROJECT WITHOUT THE WRITTEN AUTHORIZATION OF WATERFRONT CONSTRUCTION INC.

REFERENCE #:		
APPLICANT: NEIL & MICHELE KELLER		
PROPOSED: DECKING & FASCIA REPLACEMENT, SPLICE (8) PILES		
SHEET: 8	OF: 12	NEAR/AT: LAKE WASHINGTON
DATE: 10/27/2022	DWG#: 22-31034-A1-8	

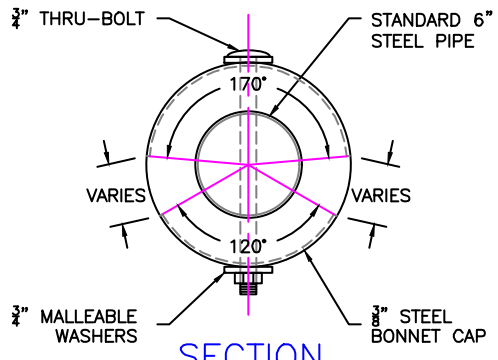


NOTE:
GUSSETS LEFT OUT OF
DETAIL & SECTION
VIEWS FOR CLARITY.

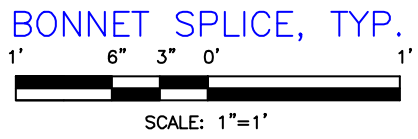
**DETAIL
B-9**



FRONT

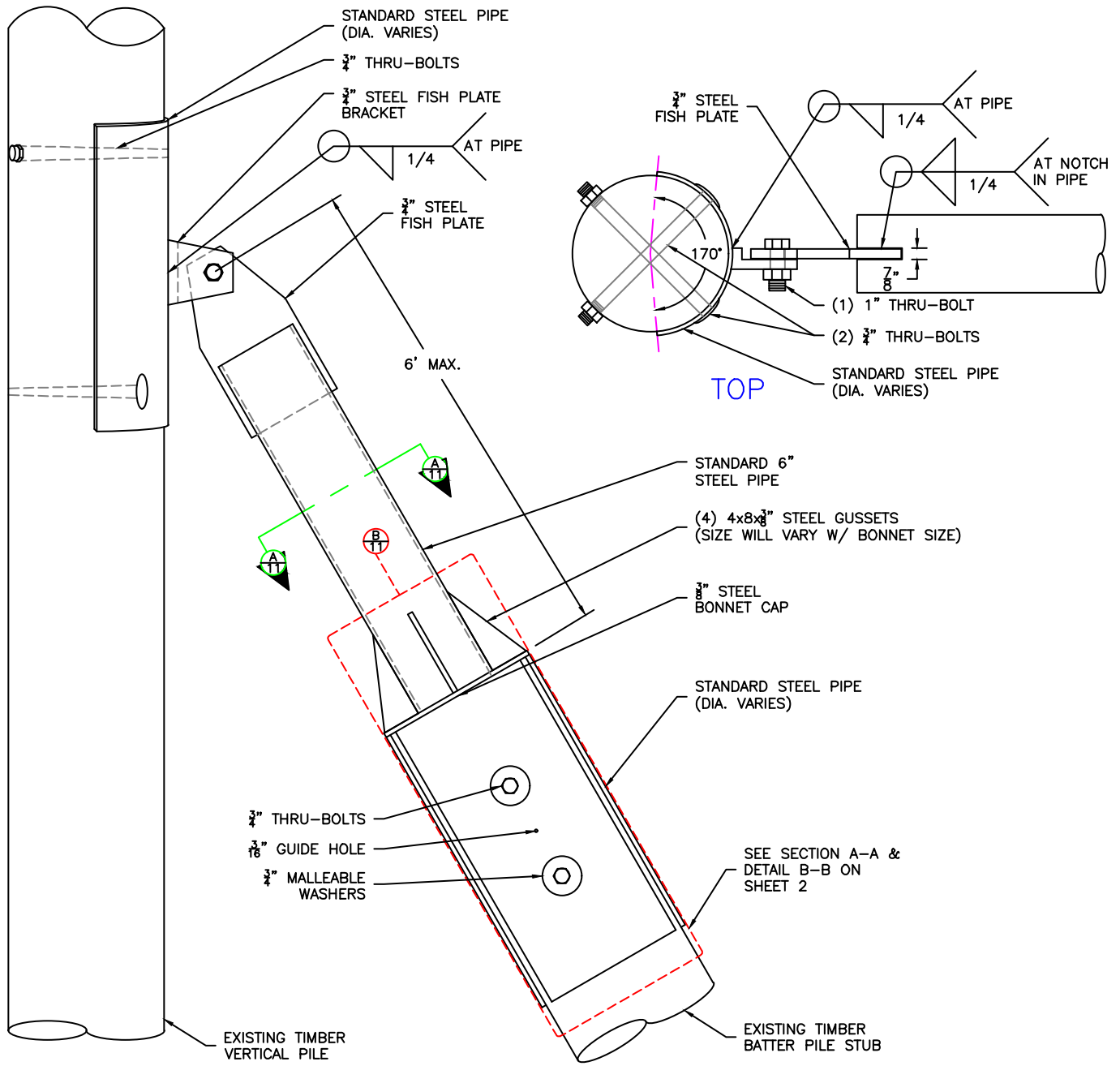


**SECTION
A-9**



PROJECT DESIGNED BY:
Waterfront Construction Inc.
THIS DOCUMENT IS PROPRIETARY PROPERTY OF WATERFRONT
CONSTRUCTION INC., AND IS NOT TO BE USED, IN WHOLE OR IN
PART, FOR ANY OTHER PROJECT WITHOUT THE WRITTEN
AUTHORIZATION OF WATERFRONT CONSTRUCTION INC.

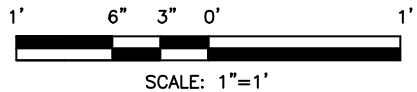
REFERENCE #:		
APPLICANT: NEIL & MICHELE KELLER		
PROPOSED: DECKING & FASCIA REPLACEMENT, SPLICE (8) PILES		
SHEET: 9	OF: 12	NEAR/AT: LAKE WASHINGTON
DATE: 10/27/2022	DWG#: 22-31034-A1-9	



SIDE

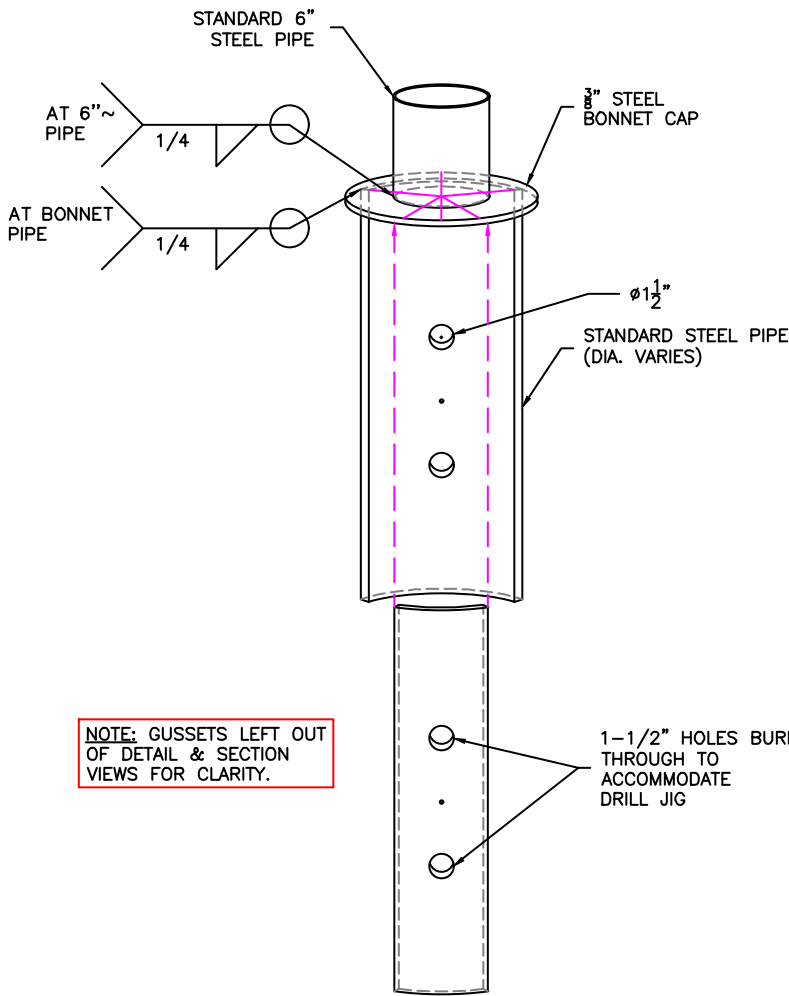
TOP

BATTER BONNET SPLICE

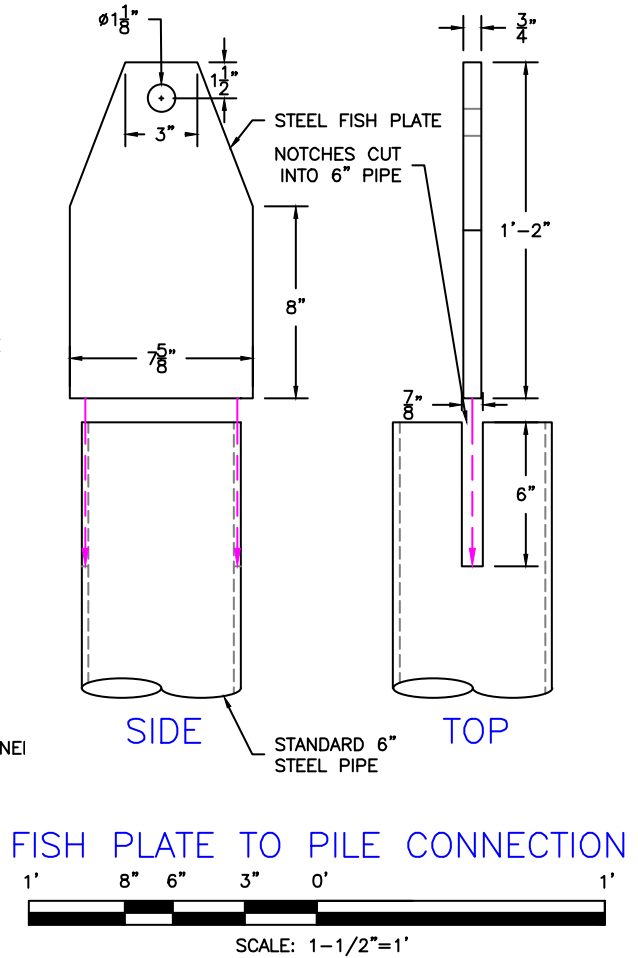


PROJECT DESIGNED BY:
Waterfront Construction Inc.
 THIS DOCUMENT IS PROPRIETARY PROPERTY OF WATERFRONT CONSTRUCTION INC., AND IS NOT TO BE USED, IN WHOLE OR IN PART, FOR ANY OTHER PROJECT WITHOUT THE WRITTEN AUTHORIZATION OF WATERFRONT CONSTRUCTION INC.

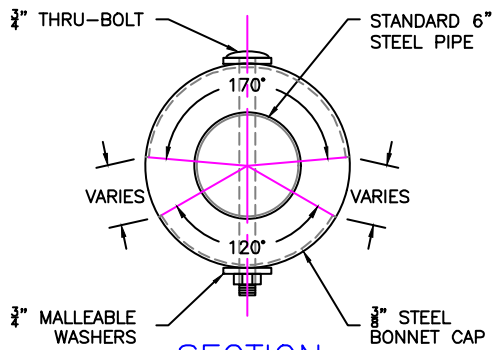
REFERENCE #:		
APPLICANT: NEIL & MICHELE KELLER		
PROPOSED: DECKING & FASCIA REPLACEMENT, SPLICE (8) PILES		
SHEET: 10	OF: 12	NEAR/AT: LAKE WASHINGTON
DATE: 10/27/2022	DWG#: 22-31034-A1-10	



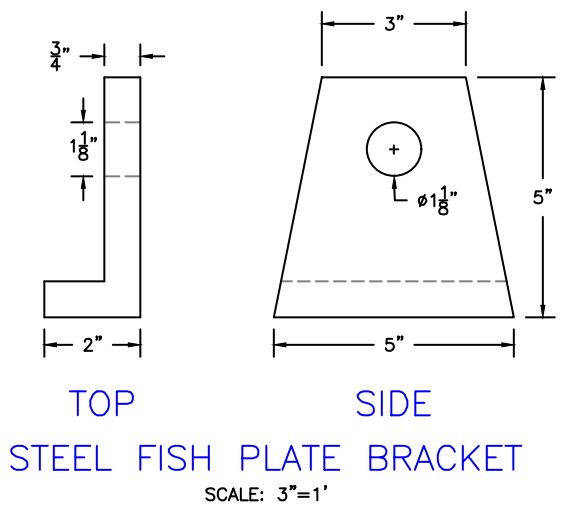
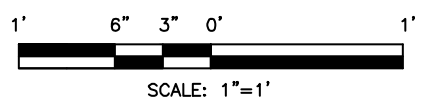
DETAIL
B-11



FISH PLATE TO PILE CONNECTION



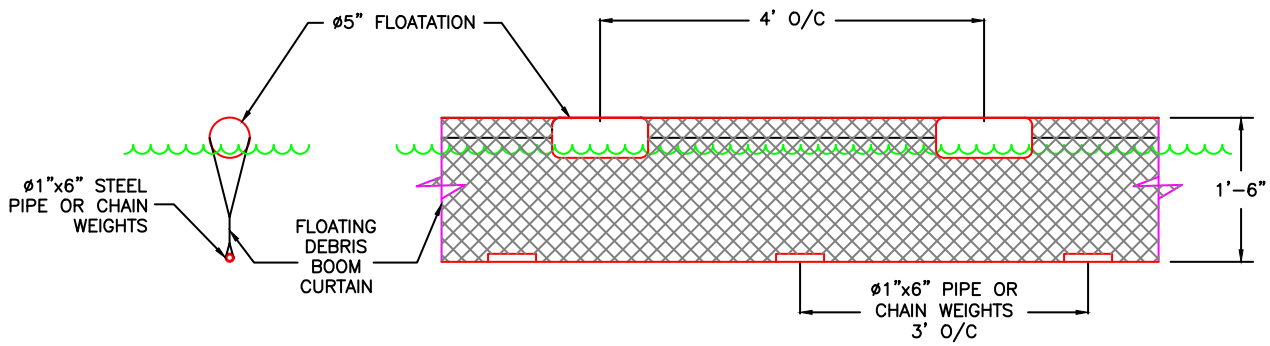
SECTION
A-11



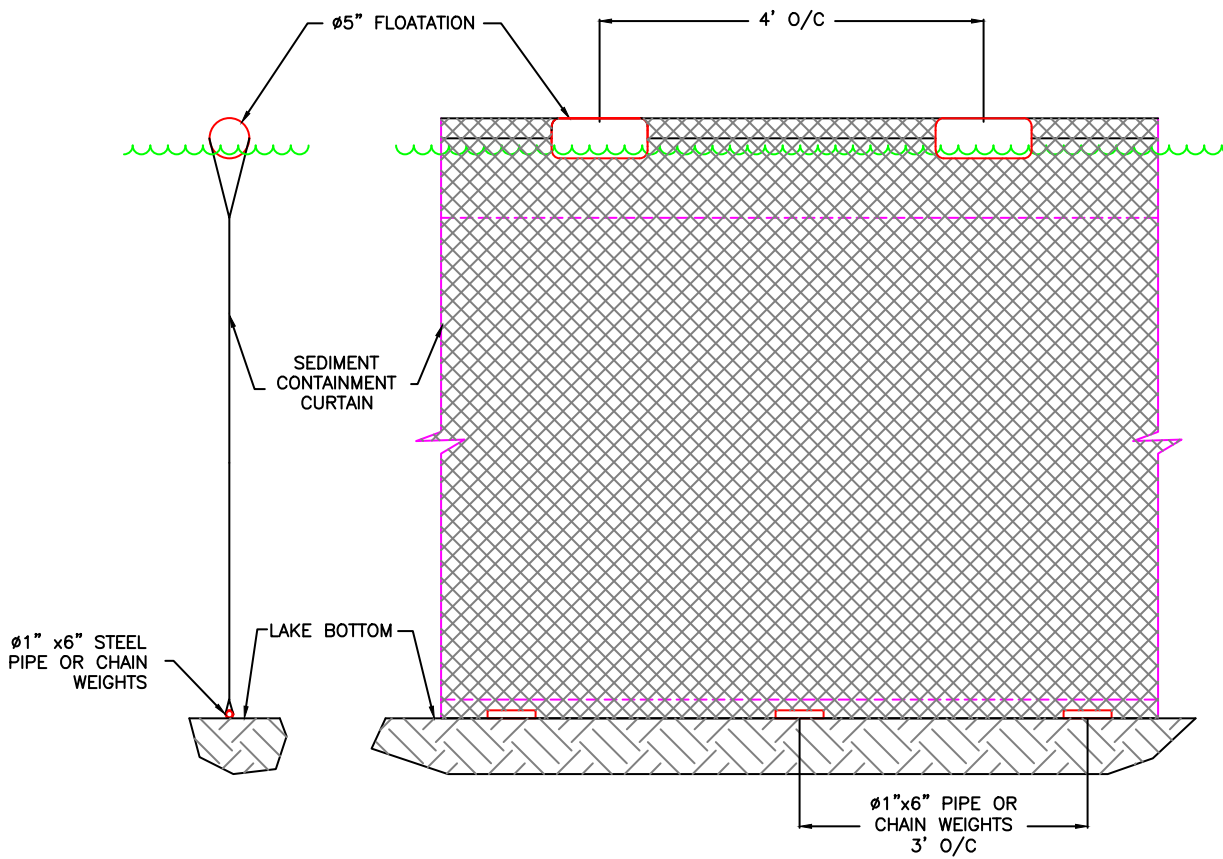
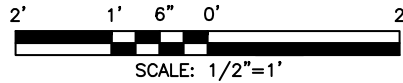
STEEL FISH PLATE BRACKET

PROJECT DESIGNED BY:
Waterfront Construction Inc.
 THIS DOCUMENT IS PROPRIETARY PROPERTY OF WATERFRONT CONSTRUCTION INC., AND IS NOT TO BE USED, IN WHOLE OR IN PART, FOR ANY OTHER PROJECT WITHOUT THE WRITTEN AUTHORIZATION OF WATERFRONT CONSTRUCTION INC.

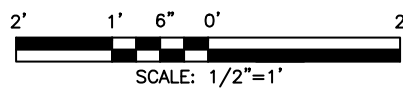
REFERENCE #:		
APPLICANT: NEIL & MICHELE KELLER		
PROPOSED: DECKING & FASCIA REPLACEMENT, SPLICE (8) PILES		
SHEET: 11	OF: 12	NEAR/AT: LAKE WASHINGTON
DATE: 10/27/2022	DWG#: 22-31034-A1-11	



FLOATING DEBRIS BOOM



TEMP. FLOATING SILT CONTAINMENT FENCE



PROJECT DESIGNED BY:

Waterfront Construction Inc.

THIS DOCUMENT IS PROPRIETARY PROPERTY OF WATERFRONT CONSTRUCTION INC., AND IS NOT TO BE USED, IN WHOLE OR IN PART, FOR ANY OTHER PROJECT WITHOUT THE WRITTEN AUTHORIZATION OF WATERFRONT CONSTRUCTION INC.

REFERENCE #:		
APPLICANT: NEIL & MICHELE KELLER		
PROPOSED: DECKING & FASCIA REPLACEMENT, SPLICE (8) PILES		
SHEET: 12	OF: 12	NEAR/AT: LAKE WASHINGTON
DATE: 10/27/2022	DWG#: 22-31034-A1-12	